








# Oras Medipro

Installation and maintenance guide





	4-7
	8-10
	11
	12-15
	16



Apple and the Apple logo are trademarks of Apple Inc., registered in the U.S. and other countries. App Store is a service mark of Apple Inc., registered in the U.S. and other countries.

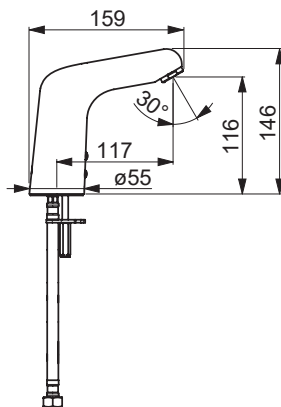
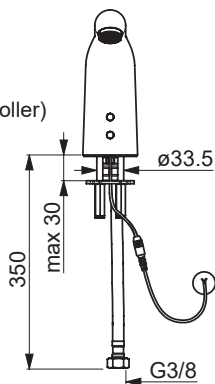
Google Play and the Google Play logo are trademarks of Google Inc.

The Bluetooth® word mark and logos are registered trademarks owned by the Bluetooth SIG, Inc. and any use of such marks by Oras Group is under license. Other trademarks and trade names are those of their respective owners.



## 5520F

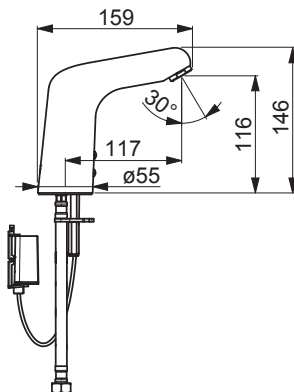
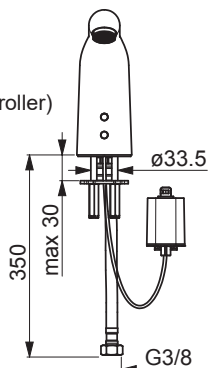
EN 15091  
 I (ISO 3822)  
 100 - 1000 kPa  
 0.1 l/s (300 kPa) (with flow controller)  
 200 kPa (0.1 l/s)  
 max. +70°C  
 IP 55  
 12V/ 9V



[mpi.oras.com/5520F](http://mpi.oras.com/5520F)

## 5550F

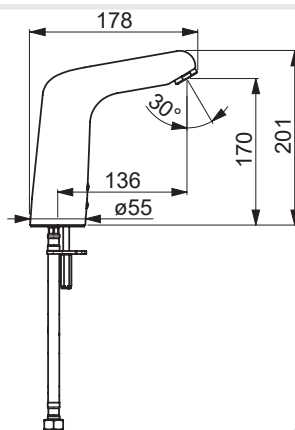
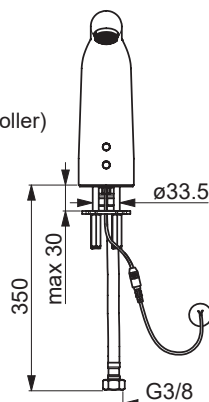
EN 15091  
 I (ISO 3822)  
 100 - 1000 kPa  
 0.1 l/s (300 kPa) (with flow controller)  
 200 kPa (0.1 l/s)  
 max. +70°C  
 IP 55  
 Lithium 2CR5 6V



[mpi.oras.com/5550F](http://mpi.oras.com/5550F)

## 5522F

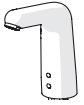
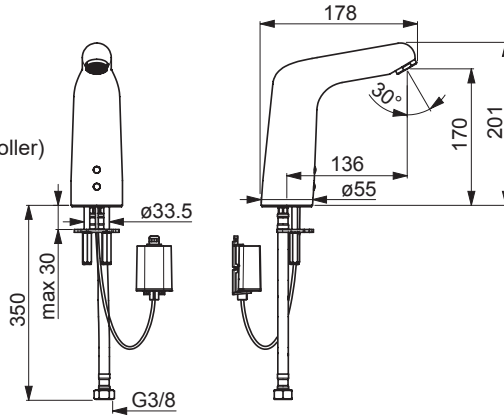
EN 15091  
 I (ISO 3822)  
 100 - 1000 kPa  
 0.1 l/s (300 kPa) (with flow controller)  
 200 kPa (0.1 l/s)  
 max. +70°C  
 IP 55  
 12V/ 9V



[mpi.oras.com/5522F](http://mpi.oras.com/5522F)

## 5552F

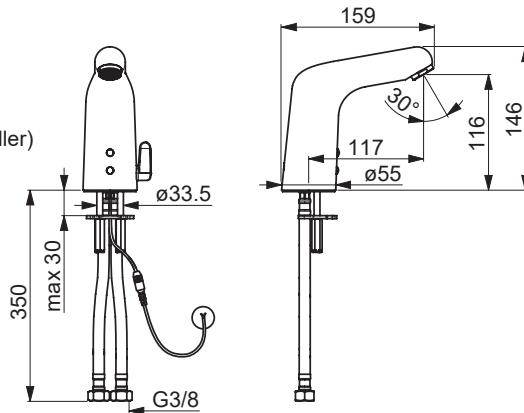
EN 15091  
I (ISO 3822)  
100 - 1000 kPa  
0.1 l/s (300 kPa) (with flow controller)  
200 kPa (0.1 l/s)  
max. +70°C  
IP 55  
Lithium 2CR5 6V



[mpi.oras.com/5552F](http://mpi.oras.com/5552F)

## 5521F

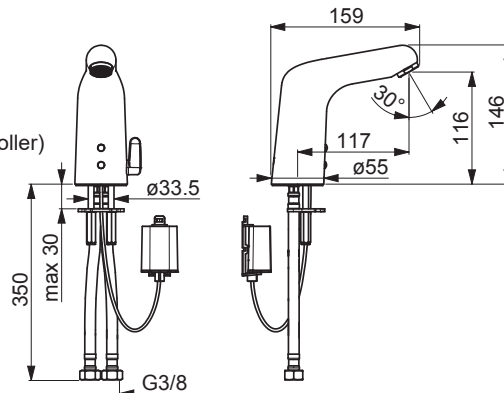
EN 15091  
I (ISO 3822)  
100 - 1000 kPa  
0.1 l/s (300 kPa) (with flow controller)  
200 kPa (0.1 l/s)  
max. +70°C  
IP 55  
12V/ 9V



[mpi.oras.com/5521F](http://mpi.oras.com/5521F)

## 5551F

EN 15091  
I (ISO 3822)  
100 - 1000 kPa  
0.1 l/s (300 kPa) (with flow controller)  
200 kPa (0.1 l/s)  
max. +70°C  
IP 55  
Lithium 2CR5 6V



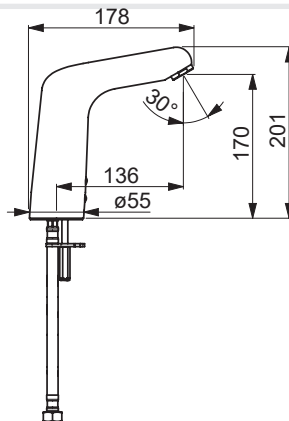
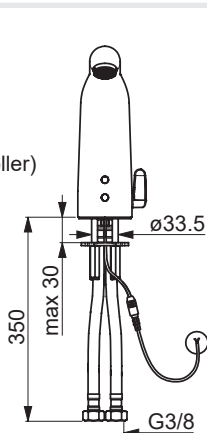
[mpi.oras.com/5551F](http://mpi.oras.com/5551F)



## 5523F

EN 15091  
I (ISO 3822)  
100 - 1000 kPa  
0.1 l/s (300 kPa) (with flow controller)  
200 kPa (0.1 l/s)  
max. +70°C  
IP 55  
12V/ 9V

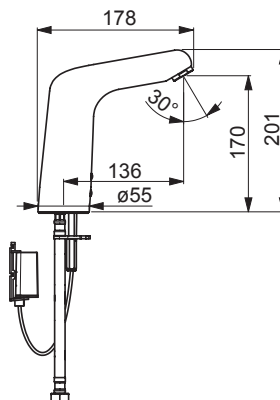
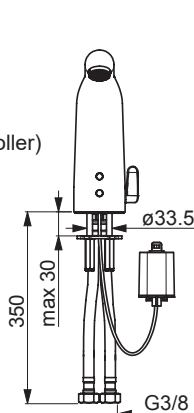
Bluetooth®



[mpi.oras.com/5523F](http://mpi.oras.com/5523F)

## 5553F

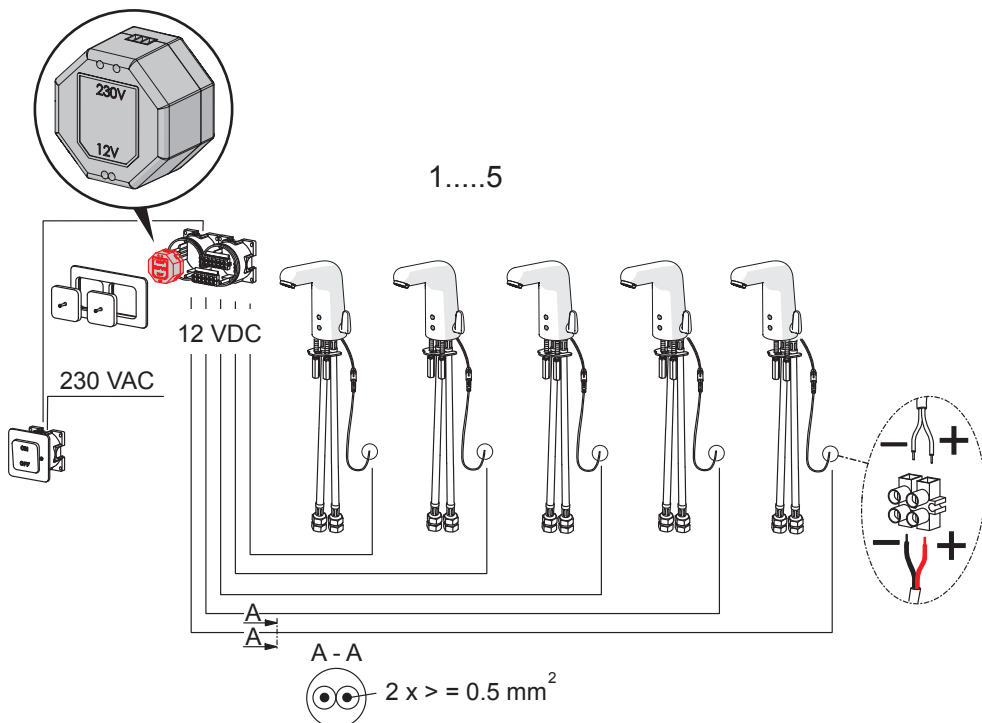
EN 15091  
I (ISO 3822)  
100 - 1000 kPa  
0.1 l/s (300 kPa) (with flow controller)  
200 kPa (0.1 l/s)  
max. +70°C  
IP 55  
Lithium 2CR5 6V

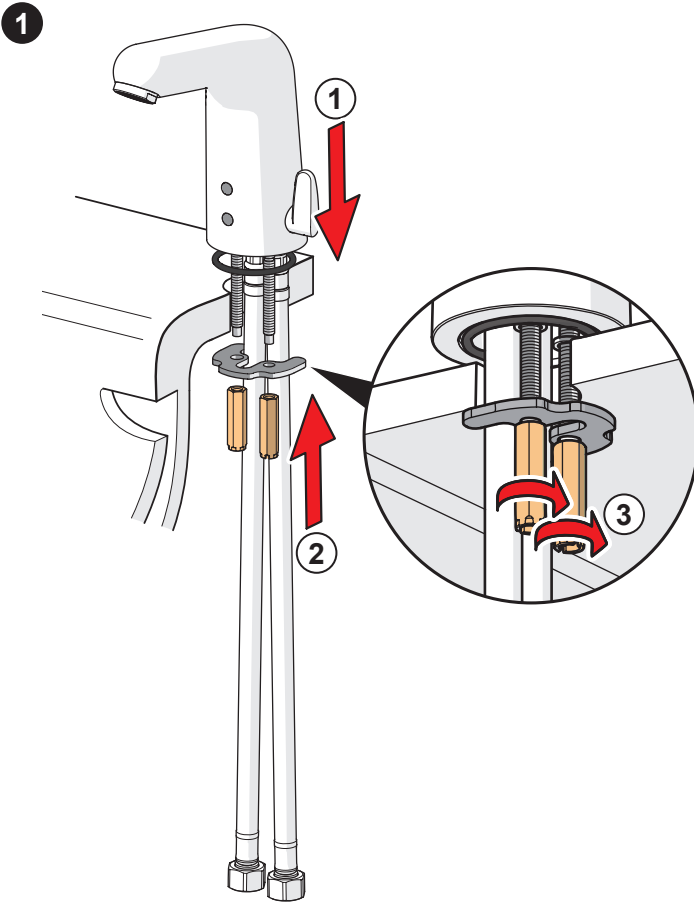
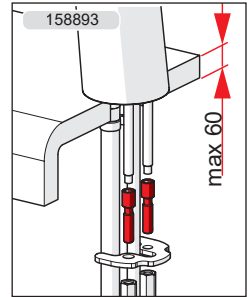
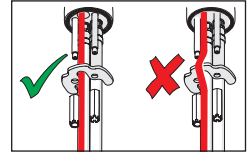
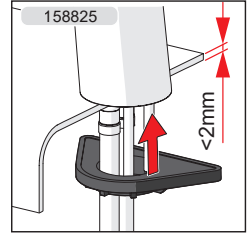
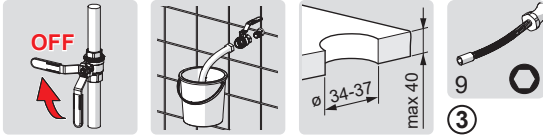


[mpi.oras.com/5553F](http://mpi.oras.com/5553F)

- GB** Power supply requirement: Power supply output must be short circuit protected.
- CZ** Požadavky týkající se napájecího zdroje: Výstup napájecího zdroje musí být chráněn proti zkratu.
- DE** Stromversorgungsvoraussetzungen: Stromversorgungsspannung muss kurzschlussgeschützt sein.
- DK** Krav til strømforsyning: Strømforsyningsudgang skal være kortslutningsbeskyttet.
- EE** Nõuded vooluallikale: Vooluallika väljund peab olema kaitstud lühise eest.
- ES** Requisitos del suministro eléctrico: el suministro eléctrico debe estar protegido contra cortocircuitos.
- FI** Vaatimukset virtälähteelle: Virtälähteen ulostulon tulee olla oikosulkusuojattu.
- FR** Unité d'alimentation électrique: La sortie de l'unité d'alimentation oit être protégée contre le court-circuit.
- IT** Requisiti dell'alimentazione: L'uscita deve essere protetta da cortocircuiti.
- LT** Reikalavimai maitinimo šaltiniui: turi būti apsauga nuo trumpo jungimo.
- LV** Prasības attiecībā uz barošanas ierīci: ierīces izvadām jābūt aizsargātām pret īsslēgumiem.
- NL** Vereisten voor de voeding: De uitgang van de voeding moet beschermd zijn tegen kortsluitingen.
- NO** Krav til strømforsyning: Strømforsyningsspenning må være kortslutningssikret.
- PL** Wymagania w stosunku do zasilacza: Zasilacz musi być wyposażony w zabezpieczenie przeciwzwarciowe.
- RO** Pentru alimentarea cu putere: borna de putere trebuie să fie protejată la scurtcircuit.
- RU** Требования к источнику тока: Выход источника тока защищен от короткого замыкания.
- SE** Krav på matningsdon: Utspänningen skall vara kortslutningssäker.
- SK** Požiadavka na napájanie: Výstup napájania musí byť chránený voči skratu.
- UA** Вимоги до джерела струму: Вихід джерела струму захищений від короткого замикання.

199275





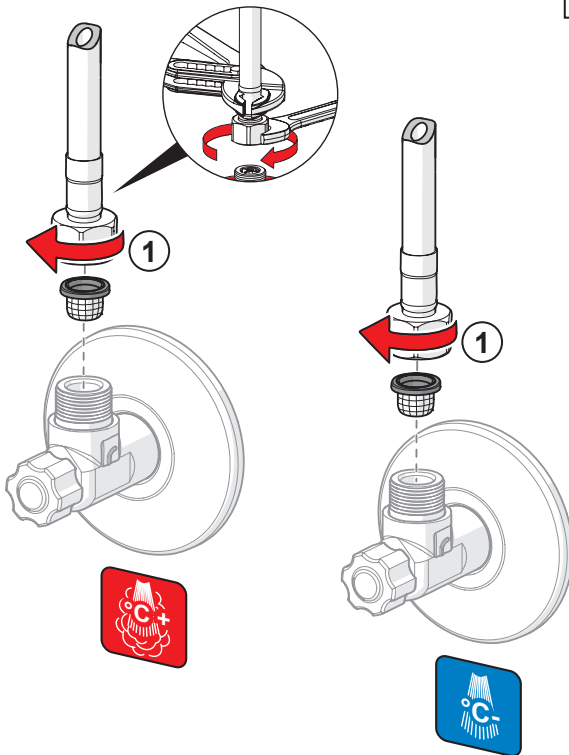
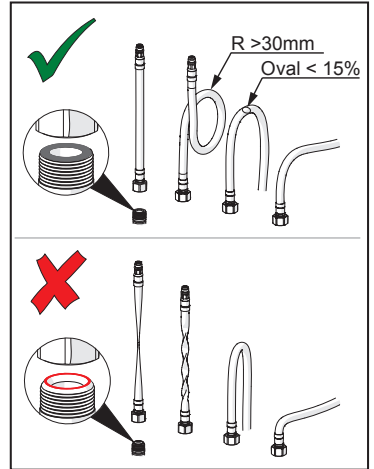




19

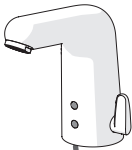
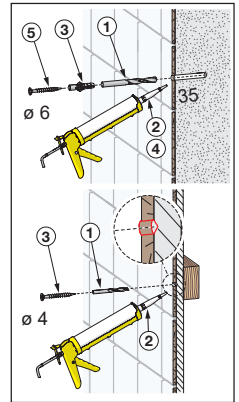
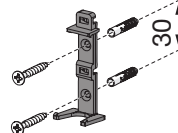
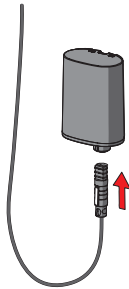
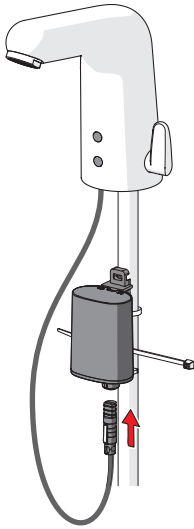
①

②

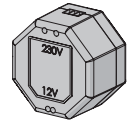
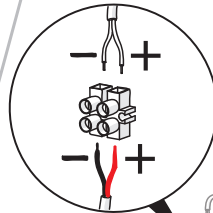
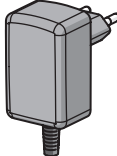




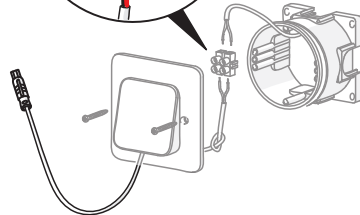
3



199550

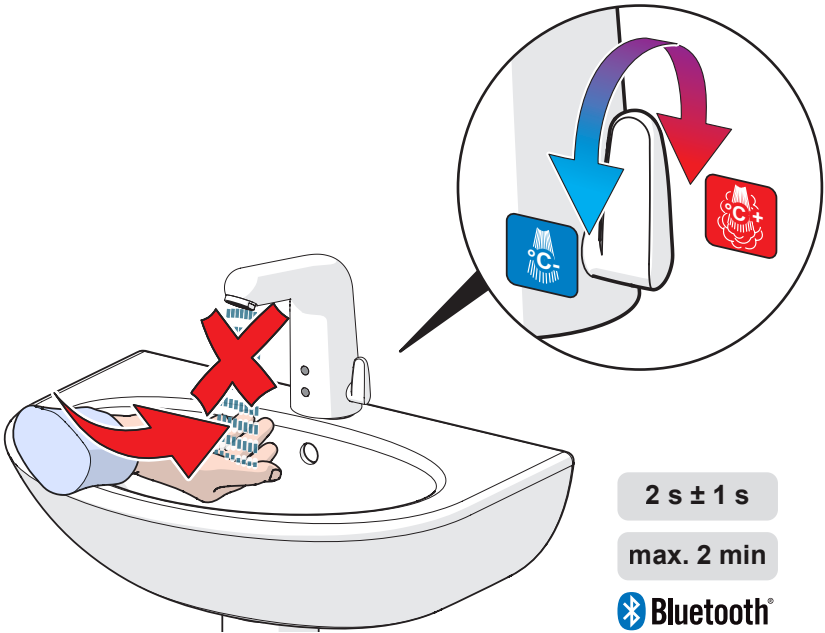
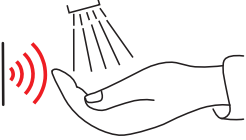


199275



199510

# Automatic

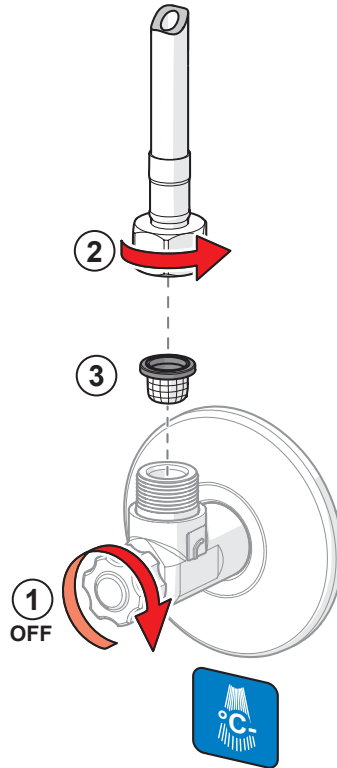
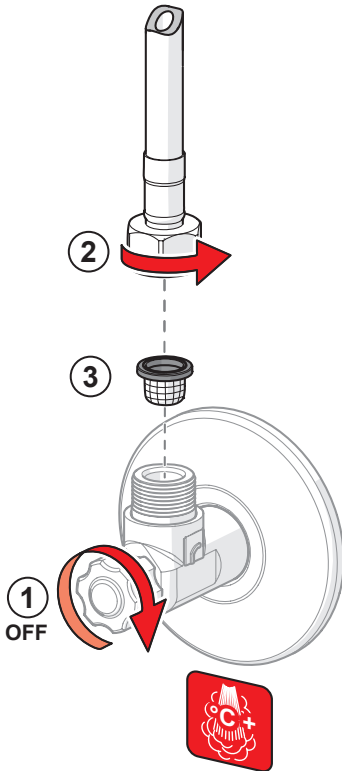
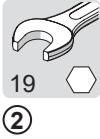
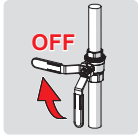


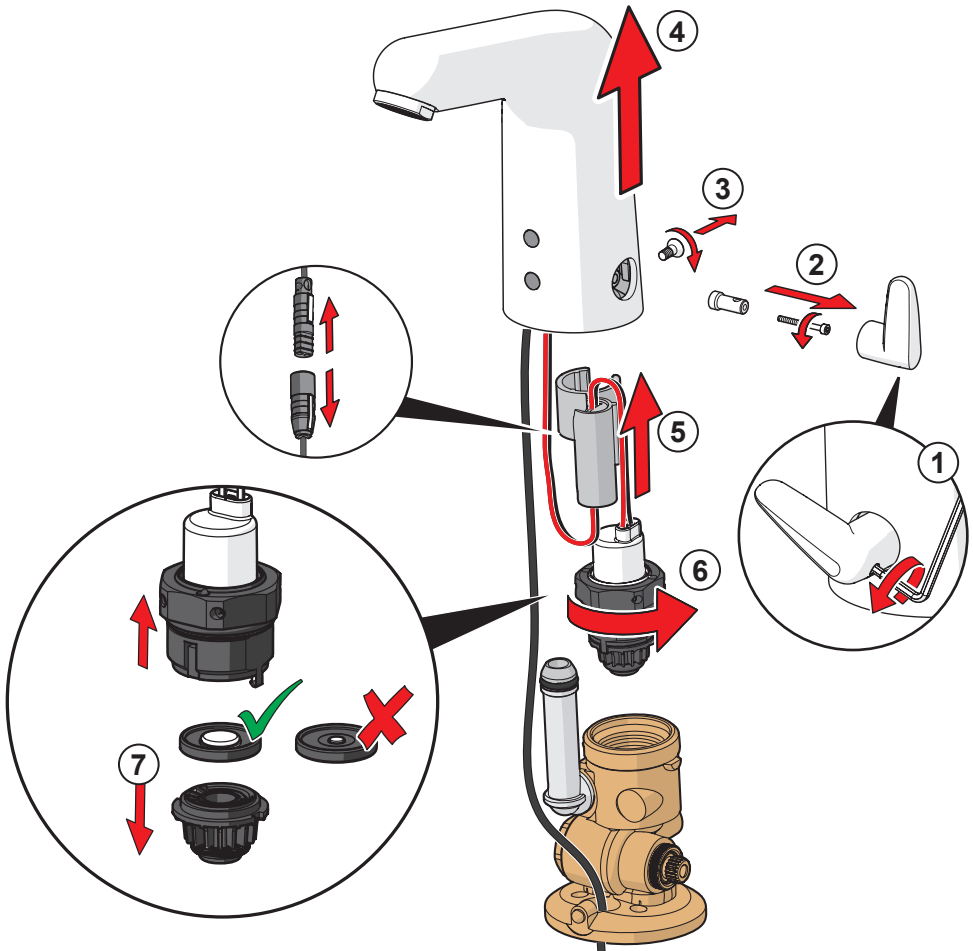
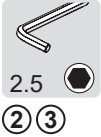
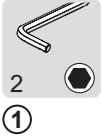
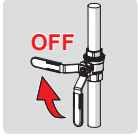
2 s ± 1 s

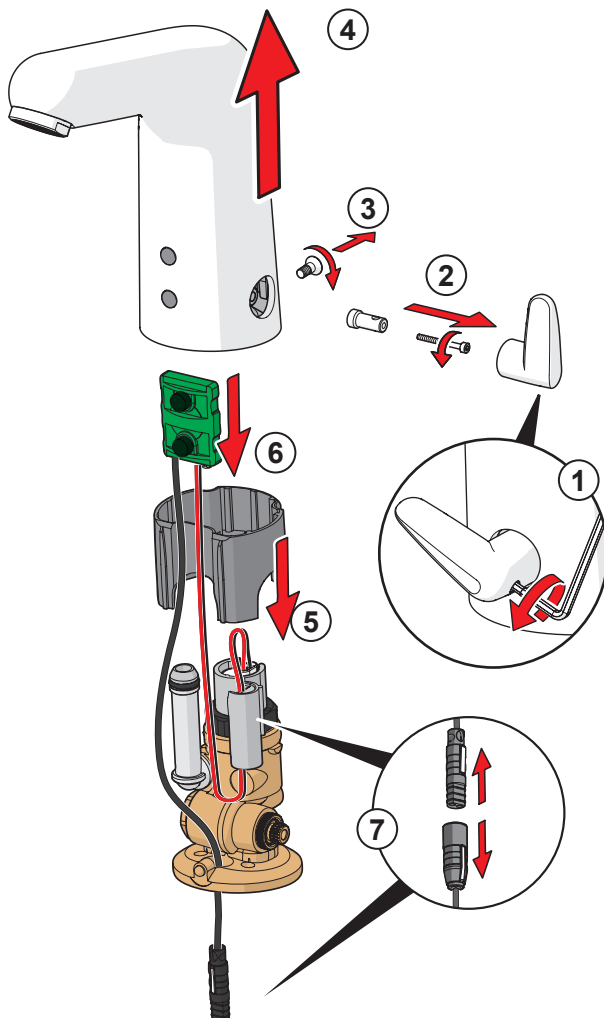
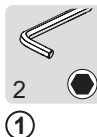
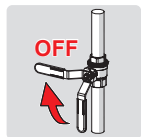
max. 2 min

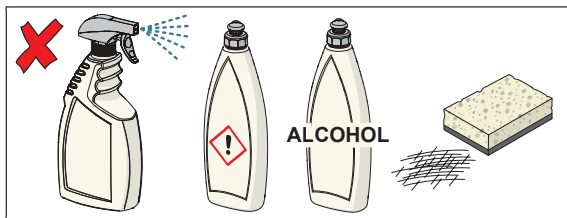
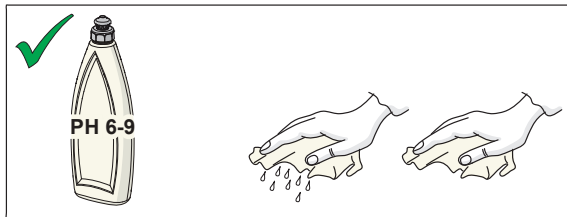
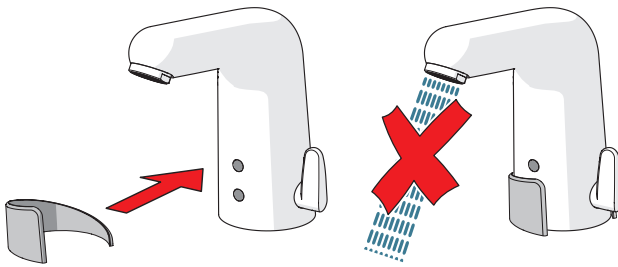
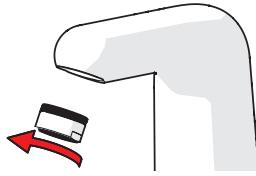
Bluetooth®











[cleaning.oras.com](http://cleaning.oras.com)









Oras Group is a powerful European provider of sanitary fittings: the market leader in the Nordics and a leading company in Continental Europe. The company's mission is to make the use of water easy and sustainable and its vision is to become the European leader of advanced sanitary fittings. Oras Group has two strong brands: Oras and Hansa.

The Group's head office is located in Rauma, Finland, and the Group has three manufacturing sites: Kralovice (Czech Republic), Olesno (Poland) and Rauma (Finland). Oras Group employs approximately 1,200 people in twenty countries. Oras Group is owned by Oras Invest, a family company and an industrial owner.

ORAS Ltd  
Isometsäntie 2, P.O. Box 40  
FI-26101 Rauma  
Tel. +358 2 83 161  
Fax +358 2 831 6300  
info.finland@oras.com  
www.oras.com



943256-03-21